

## Conductivity probe type EL22

### Application and function

The level probe EL22 in connection with the TDS controller FAR1 and a TDS valve is a continuous regulation for boiler water with high TDS concentration.

In connection with the TDS limiter FLB1 the probes serves as conductivity limitation.

### Technical basic equipment

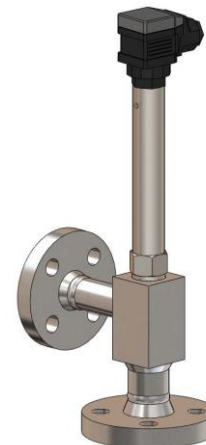
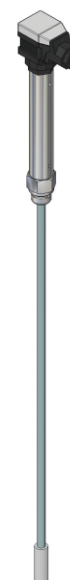
Mechanical connection	G ½ (SW27)	
	with T-connection for mounting on boiler	
Electrical connection	Plug connection with screw terminals, traction relief	
Material	Probe housing	stainless steel
	Probe rod	stainless steel
	Insulator	PTFE
	Socket	Polyamid
	Sealing ring	Soft iron
	T-connection	1.0460

### Technical data

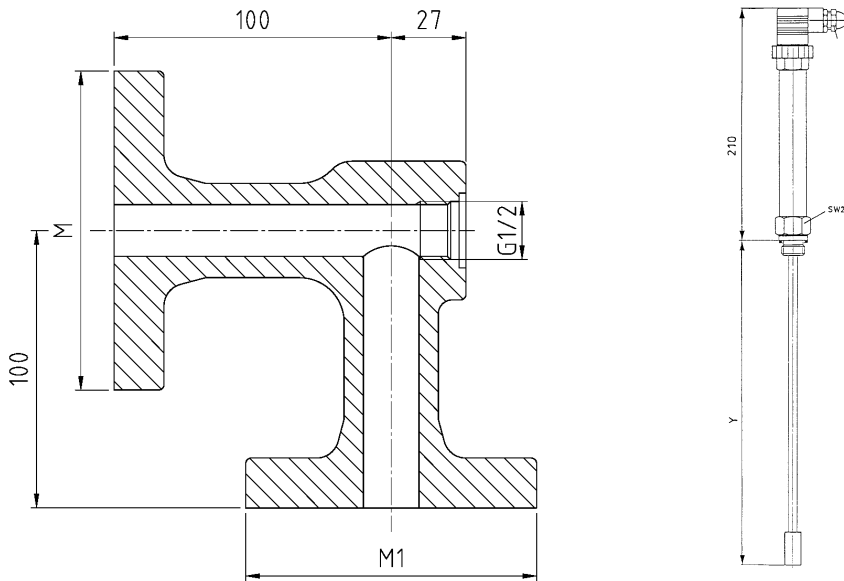
Allowable pressure	PS	[bar]	32
Allowable temperature	TS	[° C]	239
Cable gland			M16x1,5
Protection as per DIN VDE 0470			IP65
Allowable temperature on plug			100° C

- Installation vertical and inclined up to 90°
- other dimensions and materials up on request
- screws, nuts and gaskets deliverable

**Caution! Never shorten or prolong the probe**



production monitored



PN	Process connection M		Connection desalting valve M1	
	DN	DIN 2535 Form B	DN	DIN 2535 Form B
40	20		DIN 2535 Form B	
	25	20		

