

Remote level gauge type G

with LED tube light

Application and function

The remote level gauge type G can be used for every steam generator according to TRD 401 except continuous steam generators.

The geodetic pressure difference of two water columns is transferred to a blue separating liquid in the remote level gauge. This liquid is not soluble in water and non-toxic

The height of the display column of liquid is the water level in the steam drum at a scale of 1:1 or a reduced scale again.

This product is in accordance to EU-directive 2014/68/EU. Applied policy acc. to EN 12952 / EN 12953 / AD2000.

Technical basic equipment

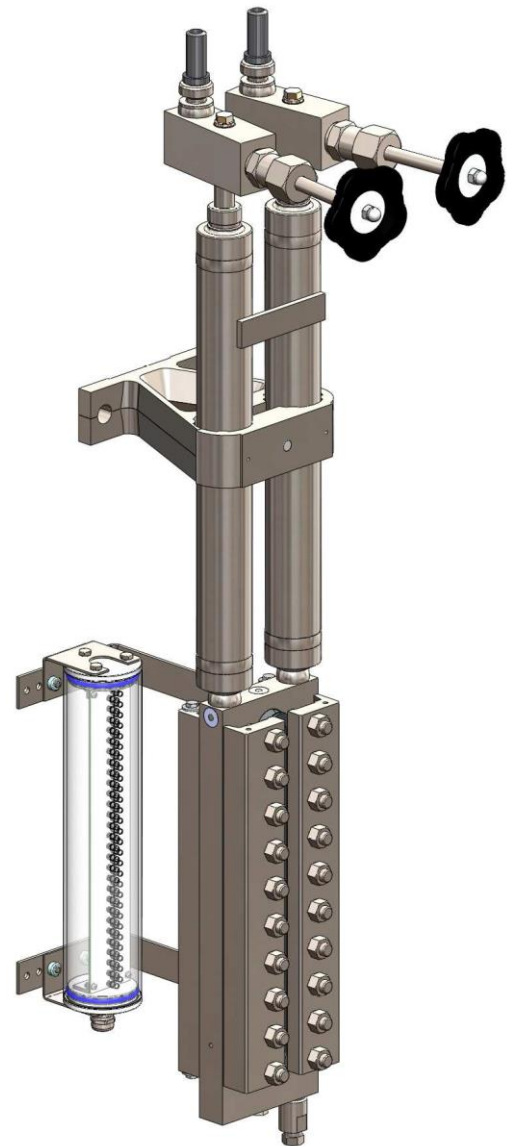
- Body material stainless steel
- Sight length see table
- Illumination device IP67
- Shutoff valves type HA300, HA310 and HA320
- Indicator valves type AF410 and 411

Technical data

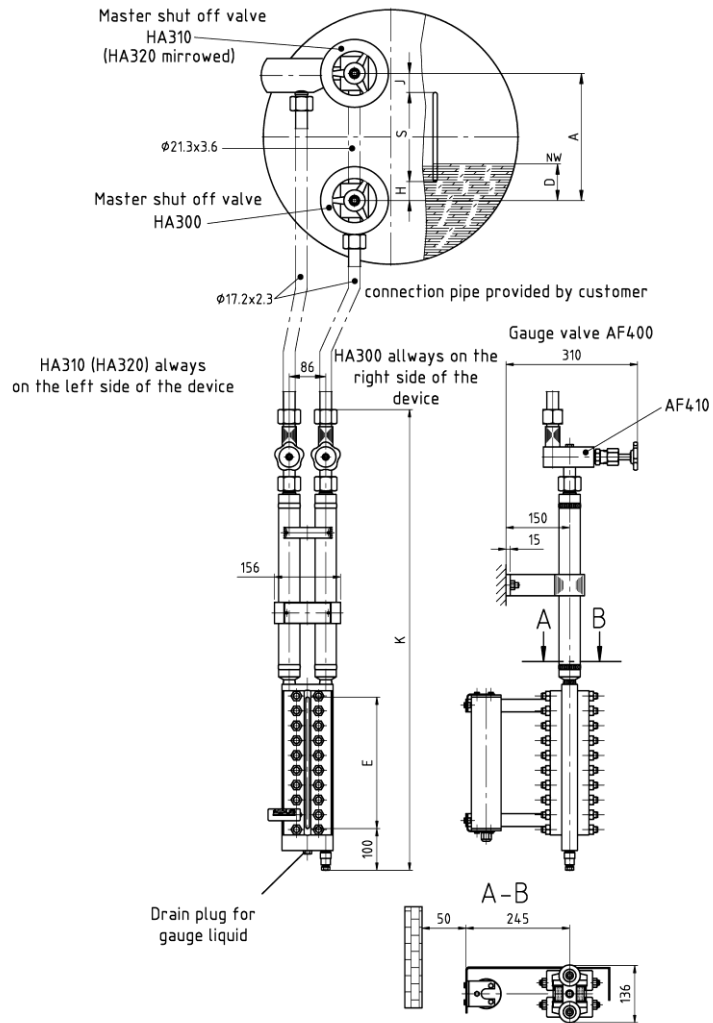
Allowable pressure	PS	[bar]	10-200
Allowable temperature	TS	[° C]	40
Indicator valve	Type		AF 410
	Data sheet		D-09-D-16362-0
Shutoff valve	Type		HA300, HA310, HA320
	Data sheet		D-09-D-16363-0

Illumination device LED	Protection		IP67
	Data sheet		D-A1-D-18931-0

Gauge liquid	Density		1,68
	Safety data sheet		D-05-D-18629-0



Dimensions



Allowable pressure	PS	[bar]	10-50	80-200
Sight length	E/S	[mm]	470 (on request)	-----
			310 or 390	
All. temperature range on body „remote level gauge“ and on indicator valve	TS	[° C]	2 up to 40	

