

CARBON STEEL GLOBE VALVE PN40



ISO 9001
BUREAU VERITAS
Certification



Size : DN 15 to DN 200
Ends : Flanges GN25/40
Min Temperature : - 20°C
Max Temperature : + 400°C
Max Pressure : 40 Bars
Specifications : Rising rotating stem and handwheel
Bolted bonnet and gland pack
Stem and seat in stainless steel

Materials : Carbon steel

CARBON STEEL GLOBE VALVE PN40
SPECIFICATIONS :

- Respect the flow direction indicated by the arrow
- Rising rotating stem and handwheel
- Bolted bonnet and gland pack
- Stem and seat in stainless steel
- Flanges R.F. GN25/40
- Blue painting RAL 5002

USE :

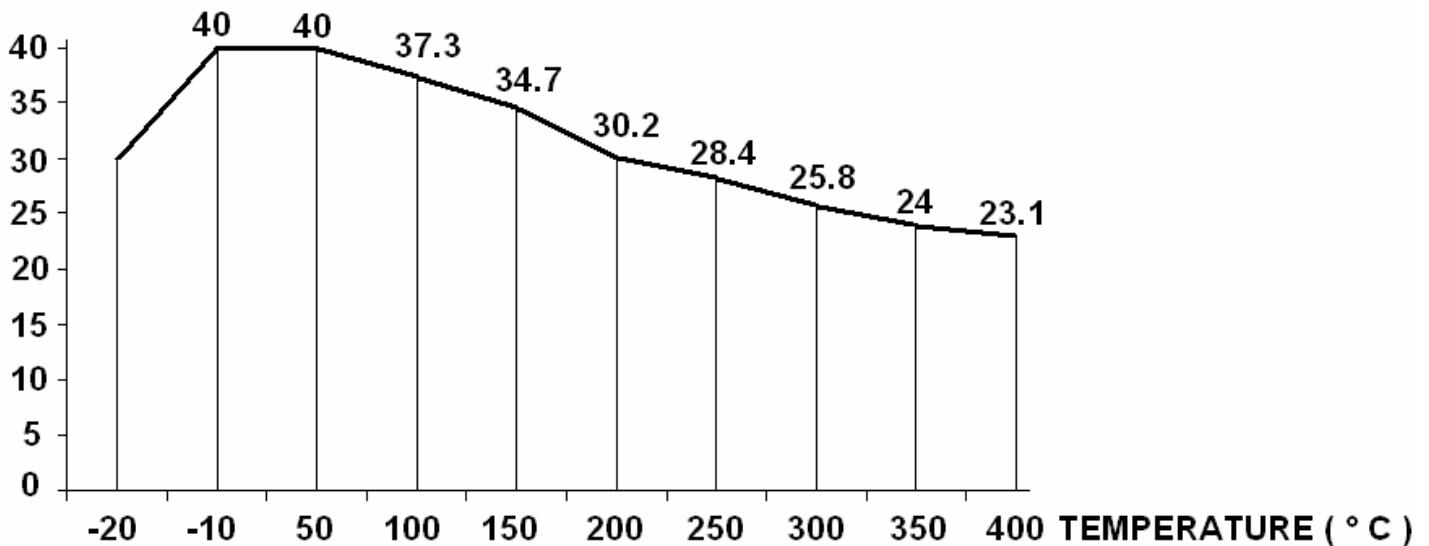
- Common fluids of 2nd group
- Min and max Temperature Ts : - 20°C to + 400°C
- Max Pressure Ps : 40 bars (see graph)
- Keep greased the stem
- Not for thermic fluids
- Tighten the gland packing during setting

FLOW COEFFICIENT Kv (M3 / h) :

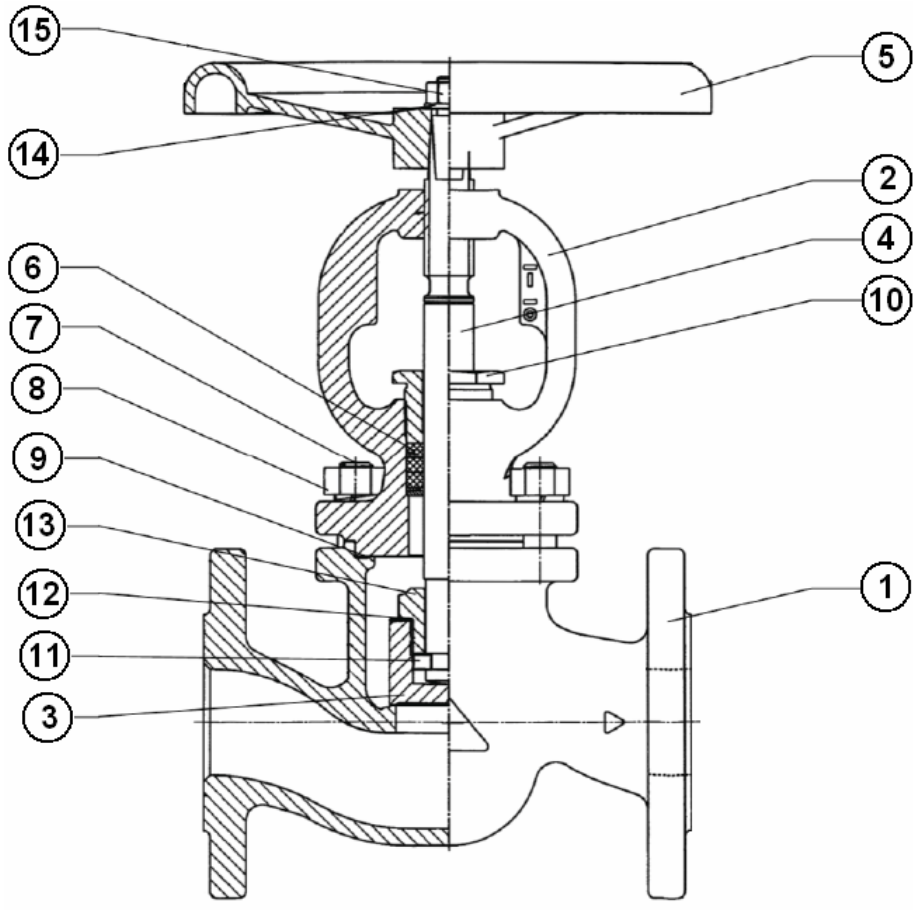
DN	15	20	25	32	40	50	65	80	100	125	150	200
Kv (m3/h)	4.3	7	11	17.5	27	47	68	116	162	250	364	570

PRESSURE / TEMPERATURE GRAPH (STEAM EXCLUDED) :

Pressure (Bar)


RANGE :

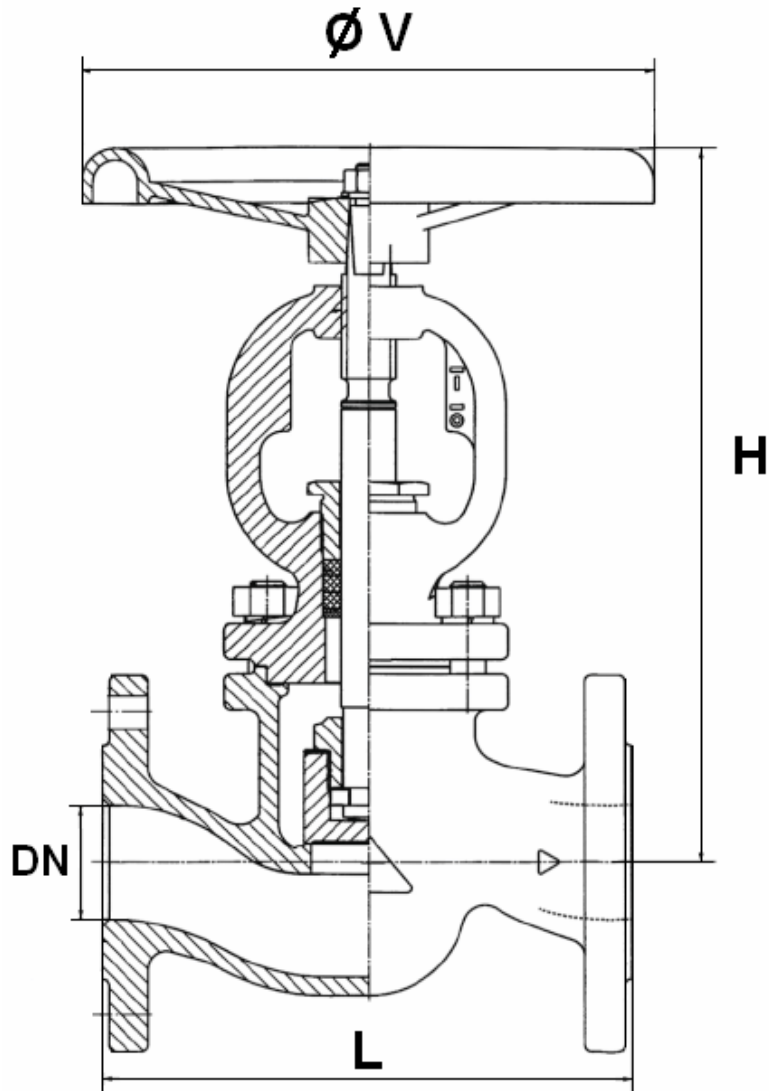
- Carbon steel flanged R.F. GN25/40 from DN 15 to DN 150 and GN40 for DN200 **Ref. 471**

CARBON STEEL GLOBE VALVE PN40
MATERIALS :


Item	Designation	Materials
1	Body	Carbon steel A216 WCB (1.0619)
2	Bonnet	Carbon steel A216 WCB (1.0619)
3	Disc	SS 420 (1.4021)
4	Stem	SS 420 (1.4021)
5	Handwheel	Cast iron EN-GJS-400-18-LT
6	Gland pack	Graphite
7	T bolt	42CrMo5 (1.7233)
8	Nut	C35 (1.1181)
9	Bonnet gasket	Graphite + NiCr
10	Gland	11SMnPb30 (1.0718)
11	Ring	SS 420 (1.4021)
12	Washer	SS 321 (1.4541)
13	Screw	SS 420 (1.4021)
14	Handwheel washer	Carbon steel + zinc galvanised
15	Handwheel nut	Carbon steel + zinc galvanised

CARBON STEEL GLOBE VALVE PN40

SIZE (in mm) :



REF.	DN	15	20	25	32	40	50	65	80	100	125	150	200
471	L	130	150	160	180	200	230	290	310	350	400	480	600
	H (closed)	189	189	189	220	220	295	295	368	368	523	523	576
	H (opened)	195	195	195	230	230	311.5	311.5	393	393	563	563	668
	Ø V	120	120	120	160	160	195	195	280	280	350	350	400
	Weight (Kg)	4.4	5.2	5.72	11.27	12.23	15.48	28	36	50	73.6	95	175

CARBON STEEL GLOBE VALVE PN40

STANDARDS :

- Fabrication according to ISO 9001 :2008
- DIRECTIVE 97/23/CE : CE N° 0062
Risk category III module H
- Tests according to EN 12266-1
- Length according to EN 558-1 series 1 (DIN 3202 F1)
- Flanges R.F. according to EN 1092-1 PN40
- Approval certificate Russian Federation **GOST-R**
- Approval certificate Polish **PZH**

ADVICE : Our opinion and our advice are not guaranteed and SFERACO shall not be liable for the consequences of damages.
The customer must check the right choice of the products with the real service conditions.

CARBON STEEL GLOBE VALVE PN40

INSTALLATION INSTRUCTIONS

GENERAL GUIDELINES :

- Ensure that the valves to be used are appropriate for the conditions of the installation (type of fluid, pressure and temperature).
- Be sure to have enough valves to be able to isolate the sections of piping as well as the appropriate equipment for maintenance and repair.
- Ensure that the valves to be installed are of correct strength to be able to support the capacity of their usage.
- **Installation of all circuits should ensure that their function can be automatically tested on a regular basis (at least two times a year).**

INSTALLATION INSTRUCTIONS :

- **Before installing the valves, clean and remove any objects from the pipes** (in particular bits of sealing and metal) which could obstruct and block the valves.
- **Ensure that both connecting pipes either side of the valve (upstream and downstream) are aligned (if they're not, the valves may not work correctly).**
- **Make sure that the two sections of the pipe (upstream and downstream) match, the valve unit will not absorb any gaps. Any distortions in the pipes may affect the tightness of the connection, the working of the valve and can even cause a rupture.** To be sure, place the kit in position to ensure the assembling will work.
- **If sections of piping do not have their final support in place, they should be temporarily fixed. This is to avoid unnecessary strain on the valve.**
- Tighten the bolts in cross.
- It's recommended to operate the valve (open and close) 1 to 2 times per year
- Tighten the gland packing at the first start of the installation (with a moderate torque) so that there's no leakage and the handwheel is easy to operate.
- Do not use tools to operate the handwheel
- Respect the flow direction indicated by the arrow