

# SPU225 type SERVO-OPERATED STAINLESS STEEL SOLENOID VALVE

## CHARACTERISTICS

The SPU225 solenoid valve is a 2/2-way stainless steel servo-operated solenoid valve. It is dedicated to the automatic shut-off of unloaded aggressive fluid lines or clean applications. It has a normally closed (NC) operation. It has a standard construction with stainless steel body and internal parts and FKM diaphragm. Various versions are available. It is designed according to the ISO 9001 standard and has BSP threaded connections complying with the ISO 228/1 standard.

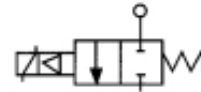
## AVAILABLE ITEMS

DN 3/8" to 2"  
BSP threaded connections  
12V DC, 24 V DC, 24V AC, 48V AC, 110V AC, 220V AC power supply



## LIMITS OF USE

Coil protection	IP 65
Max. allowable pressure (PS)	10 bar
Min. pressure differential	0.5 bar
Maximum viscosity	50 Cst
Fluid allowable temperature (TS)	-10 °C / +90 °C
Room temperature	-20 °C / +60 °C



## DIFFERENTIAL PRESSURE


DN	Bore (mm)	Kv (m <sup>3</sup> /h)	Max. pressure differential (bar)	Min. Pressure differential (bar)	Operating time (ms)
3/8"	13	3.4	10	0.5	20-60
1/2"	13	3.4	10	0.5	20-60
3/4"	25	8.9	10	0.5	20-60
1"	25	8.9	10	0.5	20-60
1" ¼	38	15.8	10	0.5	50-80
1" ½	38	21.3	10	0.5	50-80
2"	50	34.1	10	0.5	50-80

## ELECTRICAL CHARACTERISTICS

Coil class F. Service 100%. T30 connector.

Current	Voltages				Frequency		Consumption
V AC	24	48	110	230	50 Hz	60 Hz	22 VA
V DC	12	24					16 W

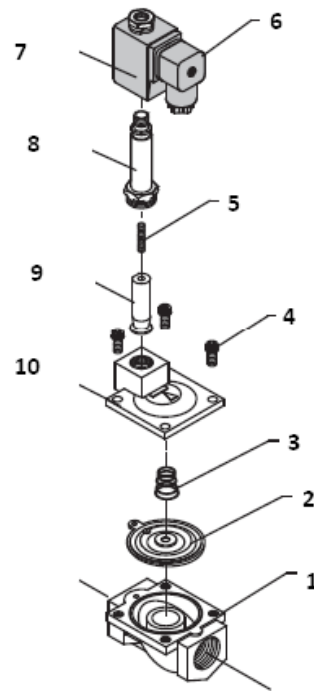
Technical data given for information purpose only. May be subject to alteration without prior notice

	SECTORIEL S.A.	Page	1/3
	45, rue du Ruisseau	Ref.	FT8000 SPU225 GB
	38290 Saint Quentin-Fallavier – FRANCE	Rev.	4
	Tel.: +33 474 94 90 70 – Fax: +33 474 94 13 95 <a href="http://www.sectoriel.fr">www.sectoriel.fr</a> / email: <a href="mailto:sectoriel@sectoriel.fr">sectoriel@sectoriel.fr</a>	Date	03/2013

# SPU225 type SERVO-OPERATED STAINLESS STEEL SOLENOID VALVE

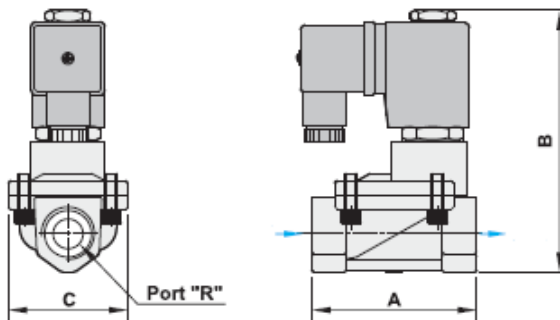
## CONSTRUCTION

n°	Item	Material
1	Body	Stainless steel 1.4408
2	Diaphragm	FKM
3	Spring	Alloyed steel
4	Screw	Stainless steel 1.4301
5	Spring	Alloyed steel
6	Connector	Plastic
7	Coil	PBT +30 % GF
8	Guide tube	Stainless steel 1.4301
9	Noyau	Stainless steel 1.4301
10	Cap	Stainless steel 1.4408



## DIMENSIONS (mm) AND WEIGHT (kg)

DN	A	B	C	Poids (kg)
3/8"	66,5	106,5	48	0,74
1/2"	66,5	106,5	48	0,72
3/4"	96	126	70	1,43
1"	96	126	70	1,43
1" 1/4	131	145,5	96	2,56
1" 1/2	131	145,5	96	2,32
2"	174	145	146	3,44



## STANDARDS OF CONSTRUCTION

Norme	
97/23/CE Pressure Equipment Directive	3/8" to 1": Excluded 1" 1/4 to 2" : Category I
Shell design	EN 12516-1
Alloy grades	EN 1503-1

## OPTIONS

EPDM diaphragm  
ATEX version (SPU225X)  
NPT connections

## MOUNTING

The SPU225 must be mounted on a horizontal piping with coil on top.

## SPARE PARTS

Mark	Part	3/8"-1/2"	3/4"-1"	1" 1/4	1" 1/2	2"
7	Coil	230V AC code 980550 / 24 V AC code 980551 / 24V DC code 980552				
2	FKM diaphragm	980570	980571	980572	980573	980574
3	EPDM diaphragm	980585	980586	980587	980588	980589

Technical data given for information purpose only. May be subject to alteration without prior notice

	SECTORIEL S.A. 45, rue du Ruisseau 38290 Saint Quentin-Fallavier – FRANCE Tel.: +33 474 94 90 70 – Fax: +33 474 94 13 95 <a href="http://www.sectoriel.fr">www.sectoriel.fr</a> / email: sectoriel@sectoriel.fr	Page	2/3
		Ref.	FT8000 SPU225 GB
		Rev.	4
		Date	03/2013