

HLC-105D , HLC-105F



BAĞLANTILAR

Flanşlı için DN15-DN150
Dişli için 1/2"-2"

UYGULAMALAR

Su
Gıda
Kimya
Hava
Diğer Gazlar

CONNECTIONS

Flanged; DN15-DN150
Screwed; 1/2"-2"

APPLICATIONS

Water
Foodstuffs
Chemistry
Air
Other Gases

FLANŞLI - FLANGED

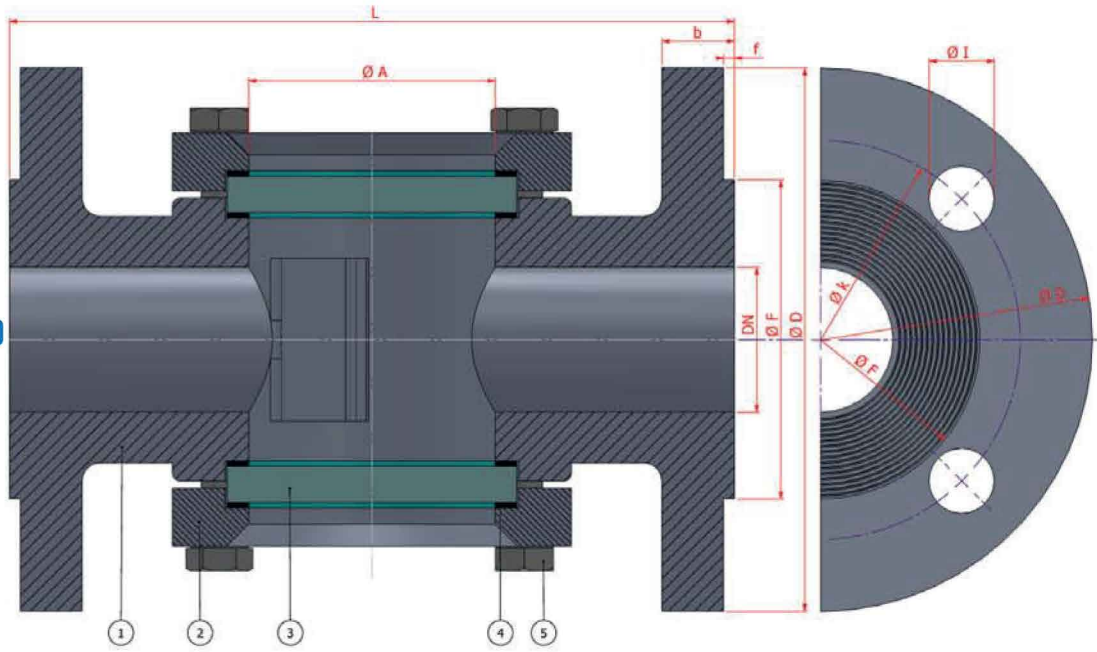
Tip Type	Boyut ve Bağlantı Ölçüleri / Dimension and Connection Sizes									
	PN 16									
Bag-Fl	L	f	D	b	K	Hole Unit	I	F	A	kg
DN 15 1/2"	130	2	95	14	65	4	14	45	40	3,5
DN 20 3/4"	150	2	105	16	75	4	14	58	40	4,2
DN 25 1"	160	2	115	16	85	4	14	68	48	5,6
DN 32 1 1/4"	180	2	140	16	100	4	18	78	67	9,5
DN 40 1 1/2"	200	3	150	16	110	4	18	88	68	14,2
DN 50 2"	230	3	165	18	125	4	18	102	85	16,0
DN 65 2 1/2"	290	3	185	18	145	4	18	122	100	15,0
DN 80 3"	310	3	200	20	160	8	18	138	100	19,0
DN 100 4"	350	3	220	20	180	8	18	158	125	33,0
DN 125 5"	400	3	250	22	210	8	18	188	125	41,0
DN 150 6"	350	3	285	22	240	8	22	212	125	56,5

DIŞLI-SCREWED

Tip Type	Boyut ve Bağlantı Ölçüleri / Dimension and Connection Sizes					
	PN 16					
Bag-Fl	L	d	D	t	A	kg
DN 15 1/2"	100	15	1/2"	14	40	1,4
DN 20 3/4"	120	20	3/4"	17	40	1,5
DN 25 1"	135	25	1"	20	48	2
DN 32 1 1/4"	160	32	1 1/4"	22	67	3,1
DN 40 1 1/2"	185	40	1 1/2"	25	68	4
DN 50 2"	220	50	2"	20	85	6

Parça No İtem No	Adet Pcs	Parça Adı Item Description		Malzeme Material			
5	8	Civata	Bolt	8.8	8.8	8.8	1.4301
4	4	Cam Sızdırmazlık Teflonu	Glass Tightness	PTFE	PTFE	PTFE	PTFE
3	2	Cam	Glass	Tem. Glass	DIN 7080	DIN 7080	DIN 7080
2	2	Kapak	Cover	GG 25	GGG 40.3	GS C 25	1.4301 - 1.4401
1	1	Gövde	Body	GG 25	GGG 40.3	GS C 25	1.4301 - 1.4401

FLANŞLI - FLANGED



DİŞLİ-SCREWED

