

PRESSURE REDUCING REGULATORS zCON









Body material	Nominal pressure	Nominal diameter	Max. temperature
A Grey cast iron	C 16 bar	DN 15-150	90°C

FEATURES

- high tightness (tightness class - IV acc. to EN - 12266 - 1)
- compact construction
- ecologically safe
- tests acc. to EN - 12266 - 1
- drilled flanges acc. to EN 1092-2 for the A material of the body
- length of construction acc. to EN 558 series 1
- 50:1 controllability
- constant flow characteristic

APPLICATION*

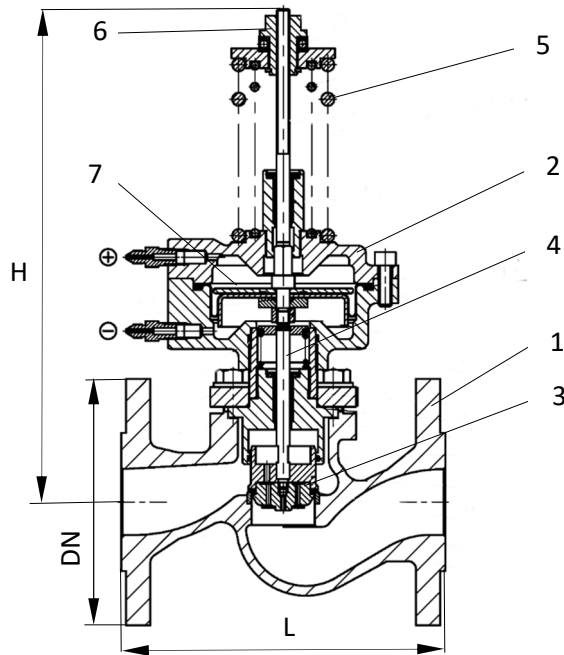
* Not all applications are suitable for every material

industries	 INDUSTRY	 COOLING & AIR CONDITIONING	 HEATING
media	 GLYCOL	 INDUSTRIAL WATER	 NEUTRAL FLUIDS

Data given can be changed without notice.

Edition 01/2018

MATERIALS, DIMENSIONS



	Body material	A
	Version	10
1	Body	EN – GJL-250 5.1301 (ex. JI1040)
2	Membrane casing	EN-GJL-250 5.1301 (ex. JI1040)
3	Disc	X20Cr13 1.4021
4	Stem	X20Cr13 1.4021
5	Spring	60Si7
6	Adjustment screw	1.0503
7	Membrane	EPDM
Max. temperature		90°C

DN	15	20	25	32	40	50	65	80	100	125	150
L (mm)	130	150	160	180	200	230	290	310	350	400	480
H (mm)	365	370	375	390	395	410	430	450	500	760	800
Weight (kg)	8,0	9,0	10,0	11,0	13,0	15,0	20,0	25,0	39,0	60,0	82,0

Data given can be changed without notice.

Edition 01/2018

ZETKAMA Sp. z o.o.
Ul. 3 Maja 12
PL 57-410 Ścinawka Średnia

Tel. +48 74 8652 187
Tel. +48 74 8652 111
Fax +48 74 8652 199

E-mail spkraj@zetkama.com.pl
www.zetkama.pl

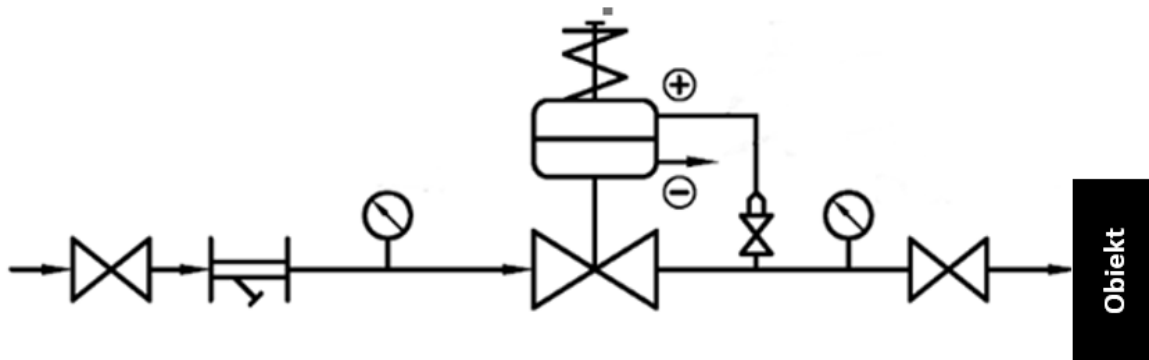
KV [m³/h]

	DN 15	DN 20	DN 25	DN 32	DN 40	DN 50	DN 65	DN 80	DN 100	DN 125	DN 150	Version
Full flow	-	6,3	10,0	16,0	25,0	32,0	40,0	63,0	125,0	160,0	250,0	Basic
Reduced flow	1,6	2,5	4,0	6,3	10,0	16,0	25,0	32,0	63,0	100,0	160,0	
	2,5	4,0	6,3	10,0	16,0	25,0	32,0	40,0	100,0	125,0	200,0	
	1,0	3,2	8,0	12,5	20,0		50,0	80,0				Complementary
	4,0											

RANGE OF SETTINGS [MPa]

Membrane casing colour	Spring colour	Range
blue	yellow	0,04 – 0,16
	red	0,1 – 0,4
	yellow + red	0,3 – 0,7
grey	yellow	0,2 – 0,35
	red	0,25 – 0,8
	yellow + red	0,6 – 1,2

EXAMPLES OF CONNECTIONS

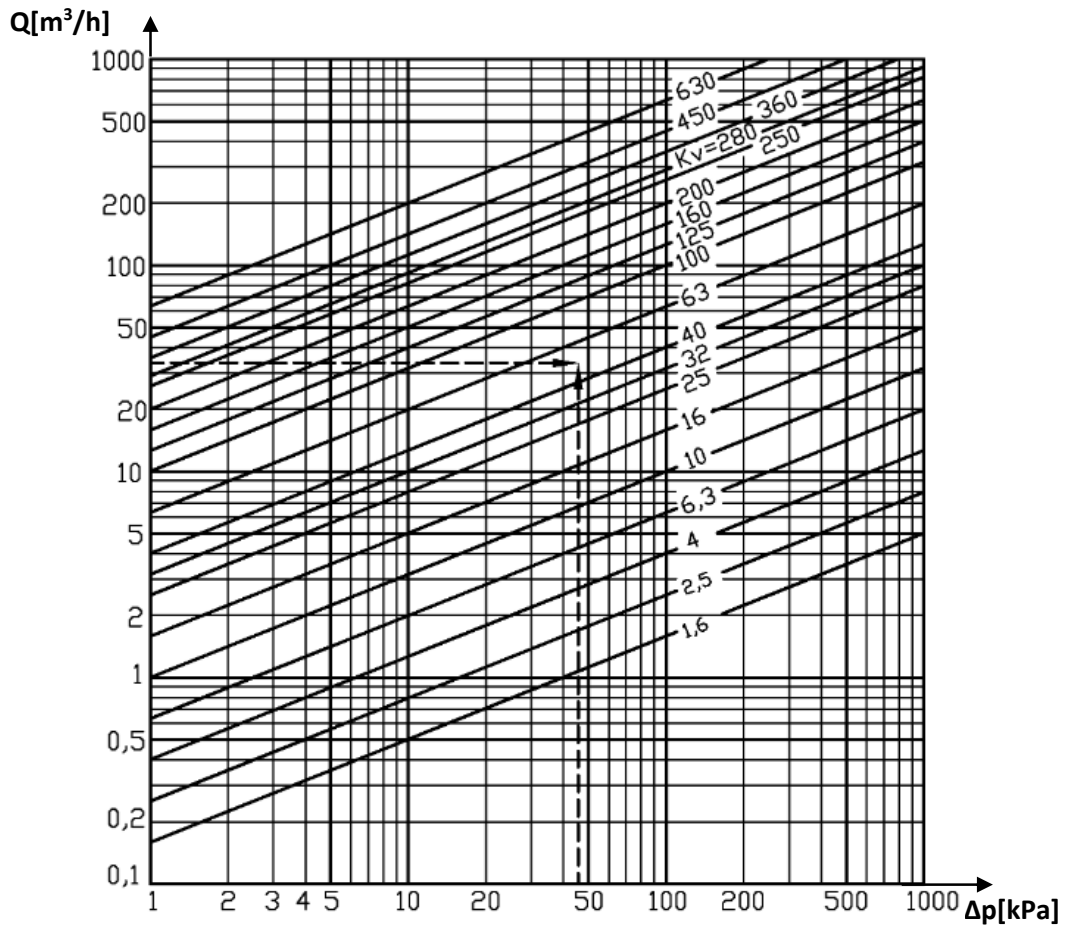


Data given can be changed without notice.

Edition 01/2018

FIG.226

FLOW

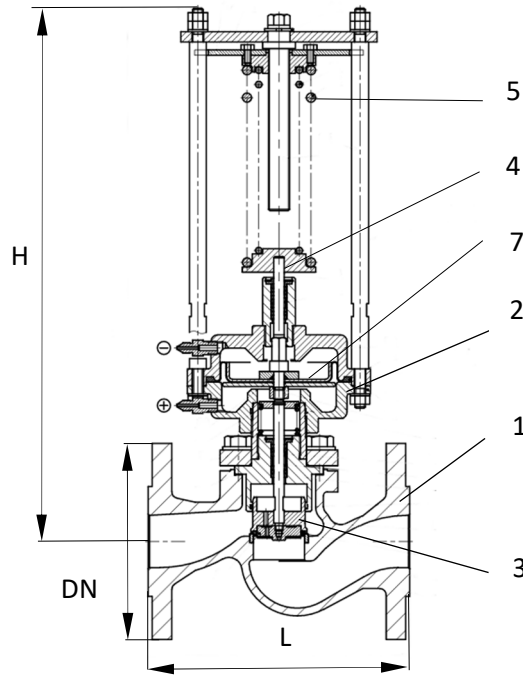


Data given can be changed without notice.

Edition 01/2018

FIG.226

MATERIALS, DIMENSIONS



	Body material	A
	Version	20
1	Body	EN – GJL-250 5.1301 (ex. JI1040)
2	Membrane casing	EN-GJL-250 5.1301 (ex. JI1040)
3	Disc	X20Cr13 1.4021
4	Stem	X20Cr13 1.4021
5	Spring	60Si7
6	Adjustment screw	1.0503
7	Membrane	EPDM
Max. temperature		90°C

DN	15	20	25	32	40	50	65	80	100	125	150
L (mm)	130	150	160	180	200	230	290	310	350	400	480
H (mm)	465	470	475	490	495	510	530	550	600	860	900
Weight (kg)	9,0	10,0	11,0	12,0	14,0	16,0	21,0	26,0	40,0	65,0	87,0

Data given can be changed without notice.

Edition 01/2018

ZETKAMA Sp. z o.o.
Ul. 3 Maja 12
PL 57-410 Ścinawka Średnia

Tel. +48 74 8652 187
Tel. +48 74 8652 111
Fax +48 74 8652 199

E-mail spkraj@zetkama.com.pl
www.zetkama.pl

FIG.226

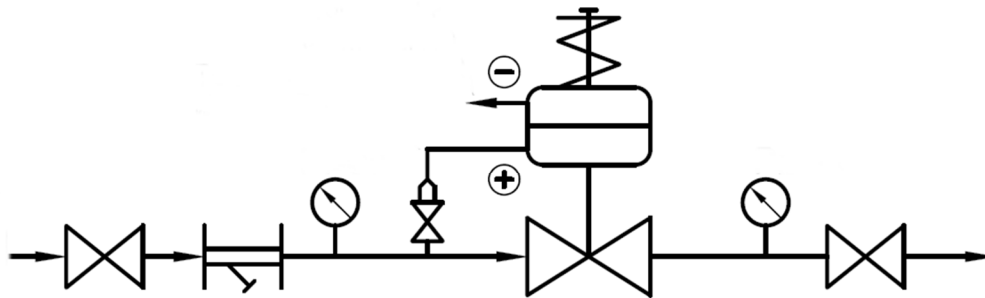
KV [m³/h]

	DN 15	DN 20	DN 25	DN 32	DN 40	DN 50	DN 65	DN 80	DN 100	DN 125	DN 150	Version
Full flow	-	6,3	10,0	16,0	25,0	32,0	40,0	63,0	-	160,0	250,0	Basic
Reduced flow	1,6	2,5	4,0	6,3	10,0	16,0	25,0	32,0	63,0	100,0	160,0	
	2,5	4,0	6,3	10,0	16,0	25,0	32,0	40,0	100,0	125,0	200,0	
	1,0	3,2	8,0	12,5	20,0							Complementary
	4,0											

RANGE OF SETTINGS [MPa]

Membrane casing colour	Spring colour	Range
blue	yellow	0,04 – 0,16
	red	0,1 – 0,4
	yellow + red	0,3 – 0,7
grey	yellow	0,2 – 0,35
	red	0,25 – 0,8
	yellow + red	0,6 – 1,2

EXAMPLES OF CONNECTIONS



Data given can be changed without notice.

Edition 01/2018

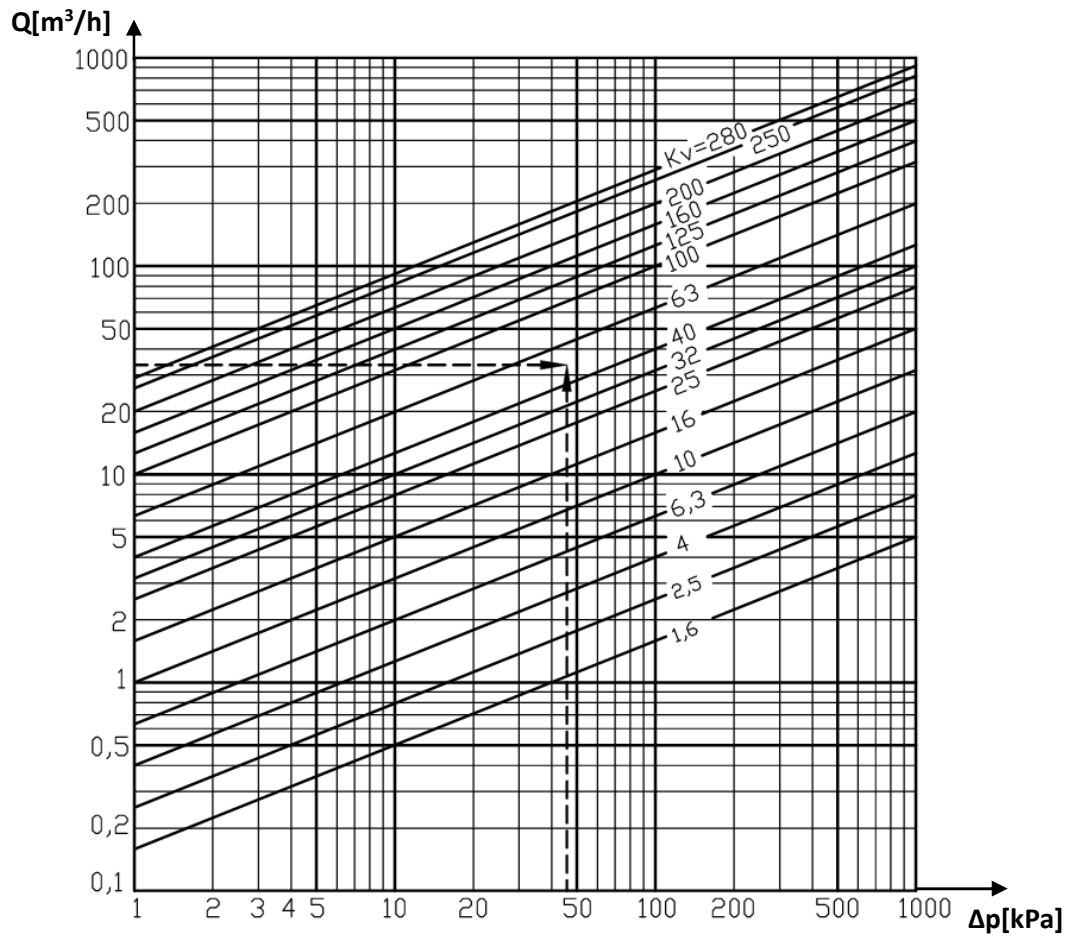
ZETKAMA Sp. z o.o.
 Ul. 3 Maja 12
 PL 57-410 Ścinawka Średnia

Tel. +48 74 8652 187
 Tel. +48 74 8652 111
 Fax +48 74 8652 199

E-mail spkraj@zetkama.com.pl
www.zetkama.pl

FIG.226

FLOW



TYPES

Data given can be changed without notice.

Edition 01/2018

ZETKAMA Sp. z o.o.
 Ul. 3 Maja 12
 PL 57-410 Ścinawka Średnia

Tel. +48 74 8652 187
 Tel. +48 74 8652 111
 Fax +48 74 8652 199

E-mail spkraj@zetskama.com.pl
www.zetskama.pl

FIG.226

Figure	Body material	Nominal diameter	Nominal pressure	Type
226	A grey cast iron EN-GJL-250	15-150 mm	C 16 bar	10 Normally open valve, stem, disc and body ring - stainless steel
		15-150 mm	C 16 bar	20 Normally closed valve, stem, disc and body ring - stainless steel

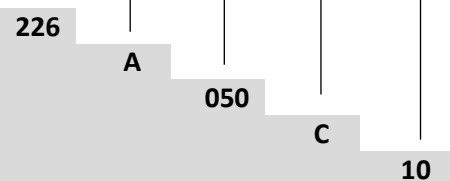
ORDERING

Figure	Body material	Nominal diameter	Nominal pressure	Type
226	A grey cast iron EN-GJL-250	15-150 mm	C 16 bar	10 Solid connection between the stem and disc - rolled down; stem, disc and body ring - stainless steel

Order example by index

226 A 050 C 10

Pressure reducing valve, straight shape
 Grey cast iron EN-GJL-250
 Nominal diameter (mm)
 Nominal pressure PN 16
 Normally open valve, stem, disc and body ring - stainless steel



Data given can be changed without notice.

Edition 01/2018