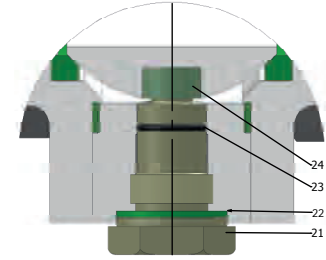
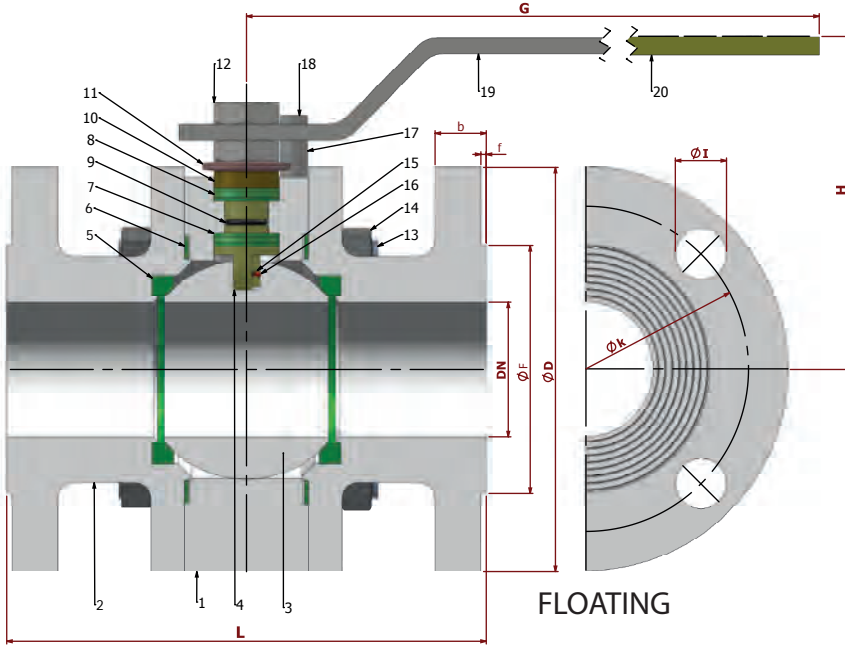


TİP TYPE
BKV-FL-TG
DN 15 - DN 200
CLASS 1500(PN 250)
ÇELİK
STELL
TAM GEÇİŞLİ / FLANŞLI
FULL BORE / FLANGED

FLOATING
TRUNNION

PARÇA NO ITEM NO	PARÇA ADI ITEM DISCRPTION	MALZEME MATERIAL		
24	ALT YATAK TEFLONU	BALL TIGHTNESS ELEMENT	PTFE-Teflon	PTFE-Teflon
23	ALT YATAK O-RING	SPINDLE O-RING	VİTON	VİTON
22	ALT YATAK TEFLONU	BALL TIGHTNESS ELEMENT	PTFE-Teflon	PTFE-Teflon
21	ALT YATAK	TRUNNION	ASTM A 105	1.4301.- 1.4401.
20	PLASTİK KAPLAMA	PLASTIC COVERING	PVC	PVC
19	KÜRE HAREKET KOLU	BALL ACTION HANDLE	st 37	1.4301.
18	ÇİVATA	BOLT	ST 42 Gal.	1.4301.- 1.4401.
17	STOPLAMA PİMİ	STOPPING PIM	ST 42 Gal.	1.4301.
16	ANTİSTATİK KÜRE	ANTİSTATİK BALL	1.4301.	1.4301.- 1.4401.
15	ANTİSTATİK YAY	ANTİSTATİK SPRING	1.4301.	1.4301.- 1.4401.
14	SOMUN	NUT	5.6.	1.4301.- 1.4401.
13	SAPLAMA	STOPPING PIM	4140 - 514t	1.4301.
12	KONTRA SOMUN	COUNTER NUT	5,6 Gal.	1.4301.
11	ÇANAK PUL	BOWL WASHER	50 Cr V 4	1.4301.
10	BASKI RİNGİ	PRESSURE RING	MS 58	1.4301.- 1.4401.
9	MİL O-RİNG	SPINDLE O-RING	VİTON	VİTON
8	BURGMAN GRAFİT O-RİNG	BURGMAN GRAPHITE O-RING	EN 1514-1	EN 1514-1
7	BOĞAZ SIZDIRMAZLIK TEFLONU	NECK TIGHTNESS ELEMENT	PTFE-Teflon	PTFE-Teflon
6	GÖVDE SIZDIRMAZLIK TEFLONU	BODY TIGHTNESS ELEMENT	PTFE-Teflon	PTFE-Teflon
5	KÜRE SIZDIRMAZLIK TEFLONU	BALL TIGHTNESS ELEMENT	PTFE-Teflon	PTFE-Teflon
4	HAREKET MİLİ	ACTION SPINDLE	1.4021	1.4301.- 1.4401.
3	KÜRE	BALL	1.4301 / 1.4086	1.4305.- 1.4401.
2	KAPAK	COVER	A 216 WCB / A 105	1.4301.- 1.4401.
1	GÖVDE	BODY	A 216 WCB / A 105	1.4301.- 1.4401.

Dizayn Design : API 6D / ISO 14313
 Boyut Dimensions : ASME B 16.10
 Bağlantılar Connections : ASME B 16.5
 Çalışma Basıncı Working Pressure : CLASS 1500 (PN 250)
 Çalışma Sıcaklığı Working Temperature : -29 °C / +180 °C

Kullanım Alanları Usege Areas :
 Doğalgaz, LPG-LNG, Fuel-Oil, Basıncılı Hava ve Diğer Gazlar
 Natural Gas, LPG-LNG, Fuel-Oil, Pressurized Air and Other Gases etc.


BOYUT ve BAĞLANTI ÖLÇÜLERİ DIMENSIONS AND CONNECTION SIZES
CLASS 1500 (PN 250)

	L	G	H	f	D	b	k	Hole Unit	I	F	Kg
DN 15 1/2"	216	150	75	7	120	29,3	82,6	4	22,4	35,1	
DN 20 3/4"	229	150	83	7	130	32,4	88,9	4	22,4	42,9	
DN 25 1"	254	180	90	7	150	35,6	101,6	4	25,4	50,8	
DN 32 1 1/4"	279	230	95	7	160	35,6	111,1	4	25,4	63,5	
DN 40 1 1/2"	305	275	115	7	180	38,8	123,8	4	28,4	73,2	
DN 50 2"	368	275	120	7	215	45,1	165,1	8	25,4	91,9	
DN 65 2 1/2"	419	320	135	7	245	48,3	190,5	8	28,4	104,6	
DN 80 3"	470	380	150	7	265	54,7	203,2	8	31,8	127	
DN 100 4"	546	450	170	7	310	61	241,3	8	34,9	157,2	
DN 125 5"	673	450	200	7	375	80,1	292,1	8	41,3	185,7	
DN 150 6"	705	650	235	7	395	89,6	317,5	12	38,1	215,9	
DN 200 8"	832	900	270	7	485	99,1	393,7	12	44,5	269,7	