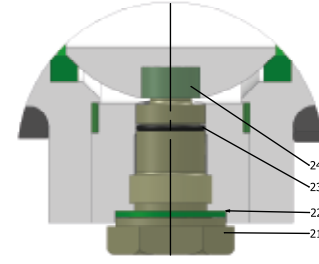
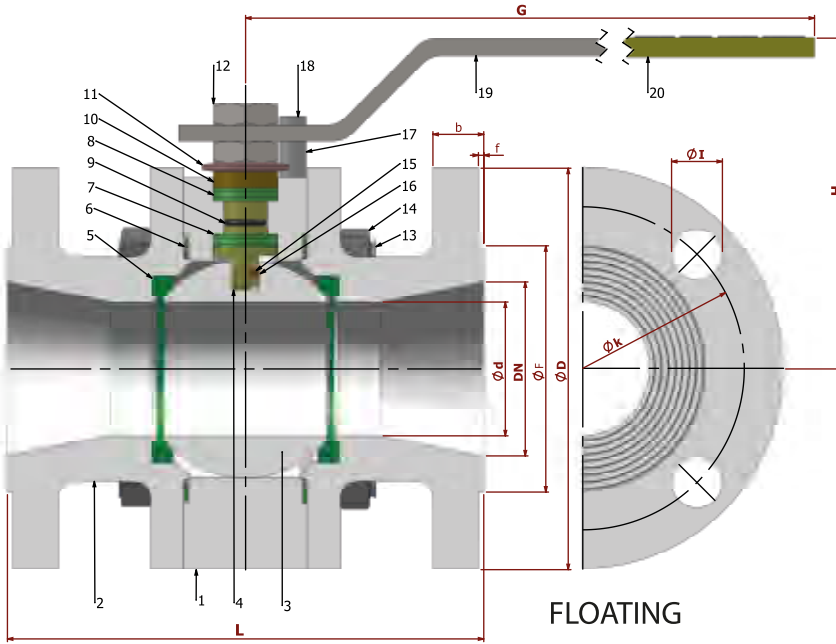


TİP TYPE
BKV-FL-RG
DN 15 - DN 300
CLASS 150 (PN 20)
ÇELİK
STELL
REDÜKSİYON GEÇİŞLİ / FLANŞLI
REDUCED BORE / FLANGED

FLOATING
TRUNNION

PARÇA NO ITEM NO	PARÇA ADI ITEM DIScription	MALZEME MATERIAL	
24	ALT YATAK TEFLONU BALL TIGHTNESS ELEMENT	PTFE-Teflon	PTFE-Teflon
23	ALT YATAK O-RING SPINDLE O-RING	VITON	VITON
22	ALT YATAK TEFLONU BALL TIGHTNESS ELEMENT	PTFE-Teflon	PTFE-Teflon
21	ALT YATAK TRUNNION	ASTM A 105	1.4301. - 1.4401.
20	PLASTİK KAPLAMA PLASTIC COVERING	PVC	PVC
19	KÜRE HAREKET KOLU BALL ACTION HANDLE	st 37	1.4301.
18	CIVATA BOLT	ST 42 Gal.	1.4301. - 1.4401.
17	STOPLAMA PİMİ STOPPING PIM	ST 42 Gal.	1.4301.
16	ANTİSTATİK KÜRE ANTİSTATİK BALL	1.4301.	1.4301. - 1.4401.
15	ANTİSTATİK YAY ANTİSTATİK SPRING	1.4301.	1.4301. - 1.4401.
14	SOMUN NUT	5.6.	1.4301. - 1.4401.
13	SAPLAMA STOPPING PIM	4140 - 5140	1.4301.
12	KONTRA SOMUN COUNTER NUT	5,6 Gal.	1.4301.
11	ÇANAK PUL BOWL WASHER	50 Cr V 4	1.4301.
10	BASKI RİNGİ PRESSURE RING	MS 58	1.4301. - 1.4401.
9	MİL O-RİNG SPINDLE O-RING	VITON	VITON
8	BURGMAN GRAFİT O-RİNG BURGMAN GRAPHITE O-RING	EN 1514-1	EN 1514-1
7	BOĞAZ SIZDIRMAZLIK TEFLONU NECK TIGHTNESS ELEMENT	PTFE-Teflon	PTFE-Teflon
6	GÖVDE SIZDIRMAZLIK TEFLONU BODY TIGHTNESS ELEMENT	PTFE-Teflon	PTFE-Teflon
5	KÜRE SIZDIRMAZLIK TEFLONU BALL TIGHTNESS ELEMENT	PTFE-Teflon	PTFE-Teflon
4	HAREKET MİLİ ACTION SPINDLE	1.4021	1.4301. - 1.4401.
3	KÜRE BALL	1.4301 / 1.4086	1.4305. - 1.4401.
2	KAPAK COVER	A 216 WCB / A 105	1.4301. - 1.4401.
1	GÖVDE BODY	A 216 WCB / A 105	1.4301. - 1.4401.

Dizayn Design : API 6D / ISO 14313
 Boyut Dimensions : ASME B 16.10
 Bağlantılar Connections : ASME B 16.5
 Çalışma Basıncı Working Pressure : CLASS 150 (PN 20)
 Çalışma Sıcaklığı Working Temperature : -29 °C / +180 °C

Kullanım Alanları Usege Areas :
 Doğalgaz, LPG-LNG, Fuel-Oil, Basıncılı Hava ve Diğer Gazlar
 Natural Gas, LPG-LNG, Fuel-Oil, Pressurized Air and Other Gases etc.


BOYUT ve BAĞLANTI ÖLÇÜLERİ DIMENSIONS AND CONNECTION SIZES
CLASS 150 (PN 20)

	L	G	H	f	d	D	b	k	Hole Unit	I	F	Kg
DN 15 1/2"	108	150	75	2	12	90	11,2	60	4	16	35,1	
DN 20 3/4"	118	150	75	2	15	100	12,7	70	4	16	42,9	
DN 25 1"	127	150	83	2	20	110	14,3	79,4	4	16	50,8	
DN 32 1 1/4"	140	180	90	2	25	115	15,9	89	4	16	63,5	
DN 40 1 1/2"	165	230	95	2	32	125	17,5	98,4	4	16	73,2	
DN 50 2"	178	275	115	2	40	150	19,1	120,6	4	19	91,9	
DN 65 2 1/2"	190	275	120	2	50	180	22,4	139,7	4	19	104,6	
DN 80 3"	203	320	135	2	65	190	23,9	152,4	4	19	127	
DN 100 4"	229	380	150	2	80	230	23,9	190,5	8	19	157,2	
DN 125 5"	356	450	170	2	100	255	23,8	216	8	22,4	185,7	
DN 150 6"	394	450	200	2	125	280	25,4	241,3	8	22,4	215,9	
DN 200 8"	458	650	235	2	150	345	28,6	298,4	8	22,4	269,7	
DN 250 10"	534	900	270	2	200	405	30,2	362	12	25,4	323,9	
DN 300 12"	610	1100	370	2	250	485	31,8	431	12	25,4	381	