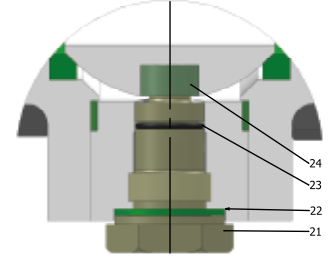
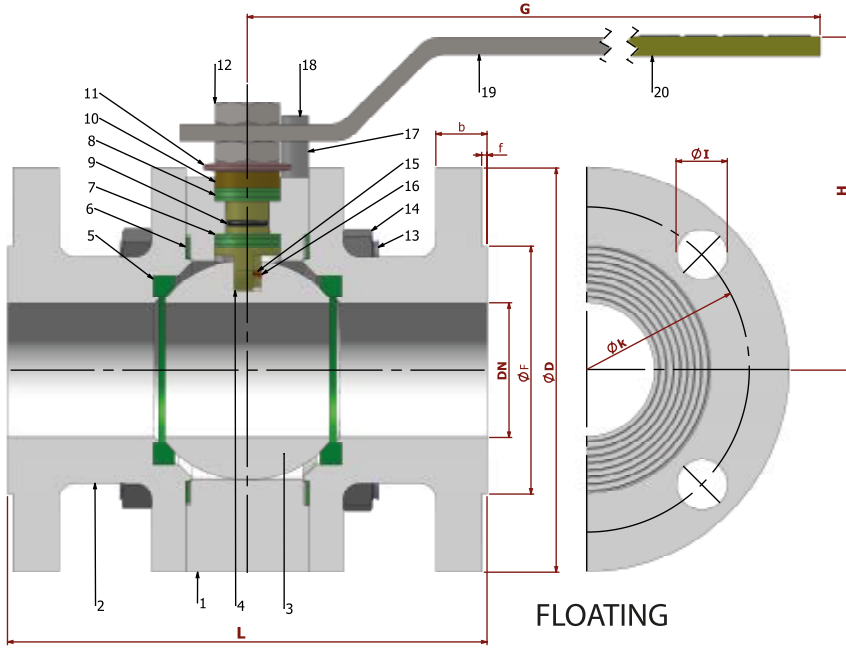


TİP TYPE
BKV-FL-TG
DN 15 - DN 300
CLASS 150 (PN 20)
ÇELİK
STELL
TAM GEÇİŞLİ / FLANŞLI
FULL BORE / FLANGED

FLOATING
TRUNNION

PARÇA NO ITEM NO	PARÇA ADI ITEM DISCRPTION		MALZEME MATERIAL	
	24	ALT YATAK TEFLONU	BALL TIGHTNESS ELEMENT	PTFE-Teflon
23	ALT YATAK O-RING	SPINDLE O-RING	VİTON	VİTON
22	ALT YATAK TEFLONU	BALL TIGHTNESS ELEMENT	PTFE-Teflon	PTFE-Teflon
21	ALT YATAK	TRUNNION	ASTM A 105	1.4301. - 1.4401.
20	PLASTİK KAPLAMA	PLASTIC COVERING	PVC	PVC
19	KÜRE HAREKET KOLU	BALL ACTION HANDLE	st 37	1.4301.
18	ÇİVATA	BOLT	ST 42 Gal.	1.4301. - 1.4401.
17	STOPLAMA PİMİ	STOPPING PIM	ST 42 Gal.	1.4301.
16	ANTİSTATİK KÜRE	ANTISTATIC BALL	1.4301.	1.4301. - 1.4401.
15	ANTİSTATİK YAY	ANTISTATIC SPRING	1.4301.	1.4301. - 1.4401.
14	SOMUN	NUT	5.6.	1.4301. - 1.4401.
13	SAPLAMA	STOPPING PIM	4140 - 514t	1.4301.
12	KONTRA SOMUN	COUNTER NUT	5,6 Gal.	1.4301.
11	ÇANAK PUL	BOWL WASHER	50 Cr V 4	1.4301.
10	BASKI RİNGİ	PRESSURE RING	MS 58	1.4301. - 1.4401.
9	MİL O-RİNG	SPINDLE O-RING	VİTON	VİTON
8	BURGMAN GRAFİT O-RİNG	BURGMAN GRAPHITE O-RING	EN 1514-1	EN 1514-1
7	BOĞAZ SIZDIRMAZLIK TEFLONU	NECK TIGHTNESS ELEMENT	PTFE-Teflon	PTFE-Teflon
6	GÖVDE SIZDIRMAZLIK TEFLONU	BODY TIGHTNESS ELEMENT	PTFE-Teflon	PTFE-Teflon
5	KÜRE SIZDIRMAZLIK TEFLONU	BALL TIGHTNESS ELEMENT	PTFE-Teflon	PTFE-Teflon
4	HAREKET MİLİ	ACTION SPINDLE	1,4021	1.4301. - 1.4401.
3	KÜRE	BALL	1.4301 / 1.4086	1.4305. - 1.4401.
2	KAPAK	COVER	A 216 WCB / A 105	1.4301. - 1.4401.
1	GÖVDE	BODY	A 216 WCB / A 105	1.4301. - 1.4401.

Dizayn Design : API 6D / ISO 14313
 Boyut Dimensions : ASME B 16.10
 Bağlantılar Connections : ASME B 16.5
 Çalışma Basıncı Working Pressure : CLASS 150 (PN 20)
 Çalışma Sıcaklığı Working Temperature : -29 °C / +180 °C

Kullanım Alanları Usege Areas :
 Doğalgaz, LPG-LNG, Fuel-Oil, Basıncılı Hava ve Diğer Gazlar
 Natural Gas, LPG-LNG, Fuel-Oil, Pressurized Air and Other Gases etc.


BOYUT ve BAĞLANTI ÖLÇÜLERİ DIMENSIONS AND CONNECTION SIZES
CLASS 150 (PN 20)

	L	G	H	f	D	b	k	Hole Unit	I	F	Kg
DN 15 1/2"	108	150	75	2	90	11,2	60	4	16	35,1	
DN 20 3/4"	118	150	83	2	100	12,7	70	4	16	42,9	
DN 25 1"	127	180	90	2	110	14,3	79,4	4	16	50,8	
DN 32 1 1/4"	140	230	95	2	115	15,9	89	4	16	63,5	
DN 40 1 1/2"	165	275	115	2	125	17,5	98,4	4	16	73,2	
DN 50 2"	178	275	120	2	150	19,1	120,6	4	19	91,9	
DN 65 2 1/2"	190	320	135	2	180	22,4	139,7	4	19	104,6	
DN 80 3"	203	380	150	2	190	23,9	152,4	4	19	127	
DN 100 4"	229	450	170	2	230	23,9	190,5	8	19	157,2	
DN 125 5"	356	450	200	2	255	23,8	216	8	22,4	185,7	
DN 150 6"	394	650	235	2	280	25,4	241,3	8	22,4	215,9	
DN 200 8"	458	900	270	2	345	28,6	298,4	8	22,4	269,7	
DN 250 10"	534	1100	370	2	405	30,2	362	12	25,4	323,9	
DN 300 12"	610	1100	400	2	485	31,8	431	12	25,4	381	